

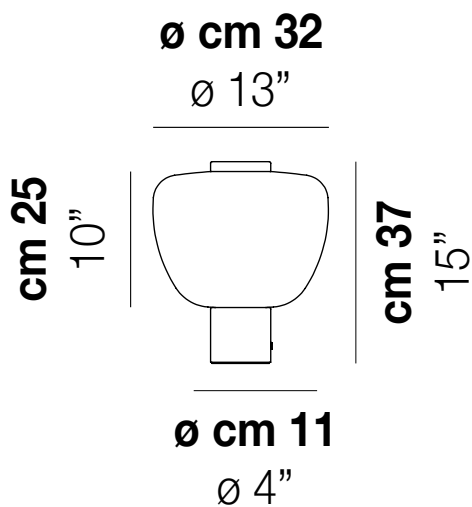
RIFLESSO

Design A.CHIARAMONTE - M.MARIN

RIFLESSO LT 3



RIFLESSO LT 3



TECHNICAL DATA:



CERTIFICATIONS:



LED N 17,5W DIM 5,000K 1x10,5w 220-240V 50/60 Hz LED

VOLUME Mc 0,13
 GROSS WEIGHT Kg 8
 NET WEIGHT Kg 4,5

download



SHADE FINISHING



AA/TR

CR/TR

FRAME FINISHING



BKS

RAV