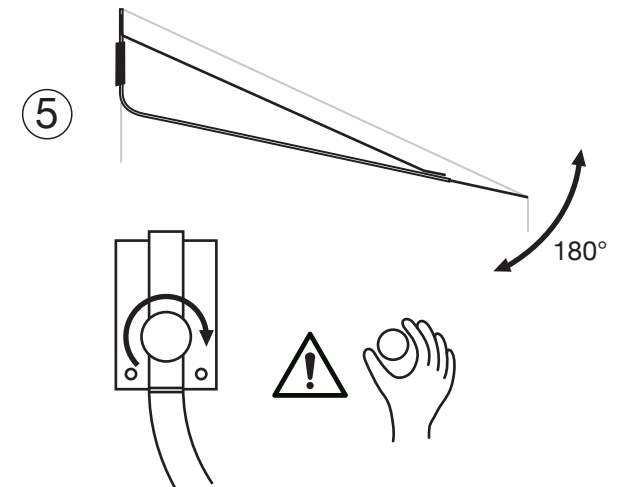
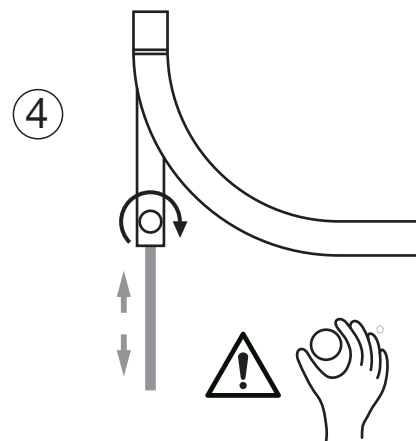
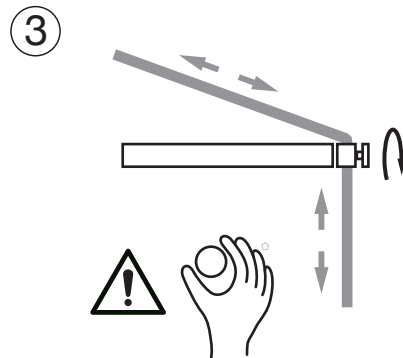
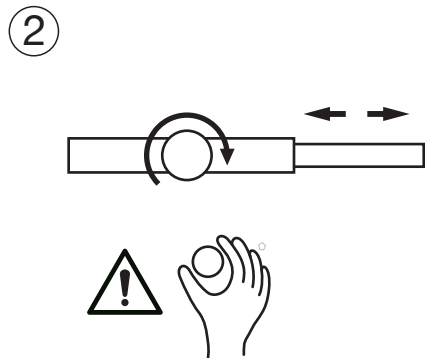
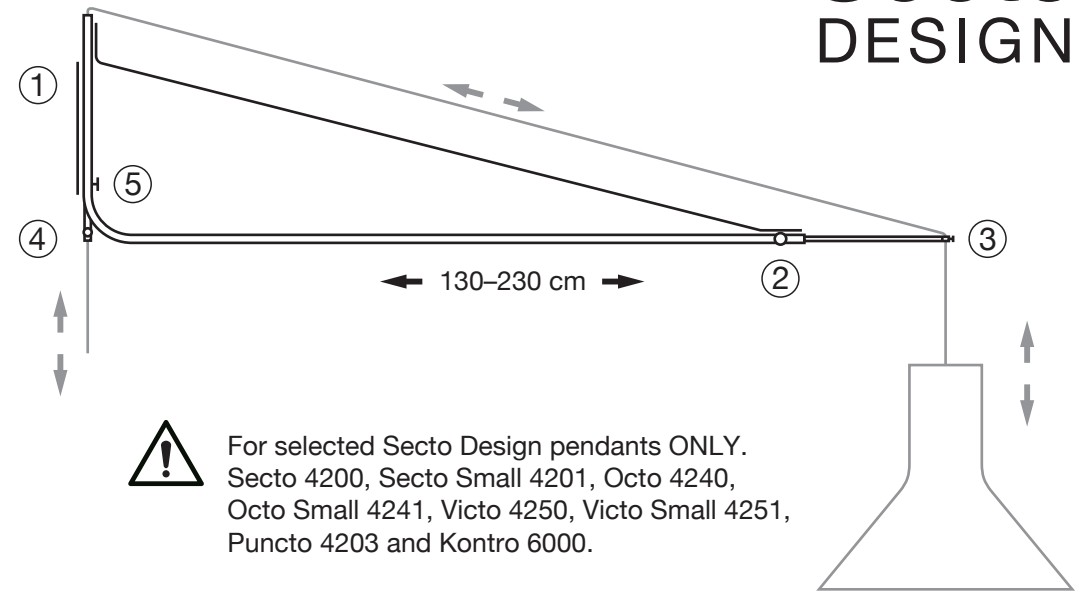
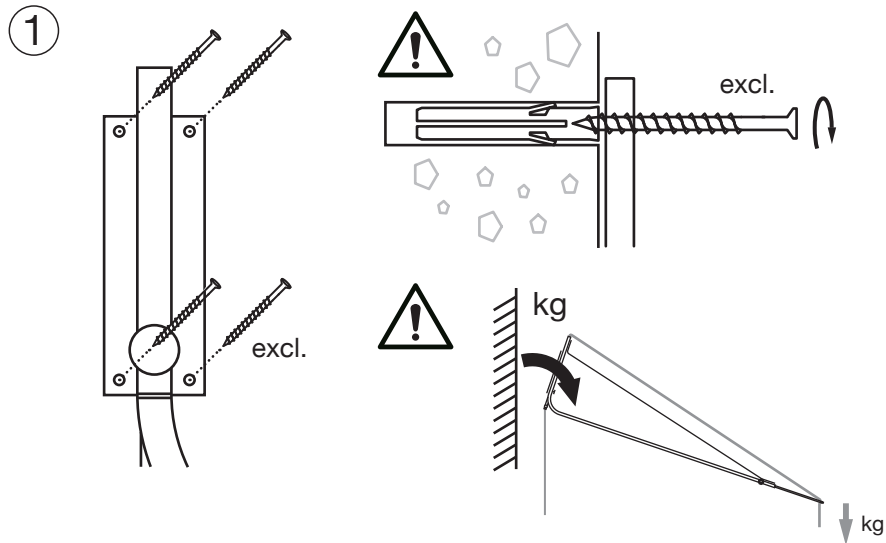



# Varsi 1000 | Instructions

# Secto DESIGN



 The cable can only be replaced by the manufacturer or a certified electrician.