



---

**2 Naomi Pinza**

**3 Naomi Morsetto**

**4 Naomi Parete**

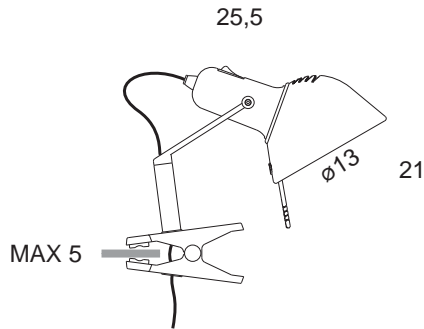
---

# Naomi Pinza

**Designer**

Yaacov Kaufman - 2001

Adjustable Clip-on lamp in aluminium, with 3m long feeding cable. The clip is suitable for surfaces between 10mm and 30mm.



Denominazione - Name - Name **Naomi Pinza (cod. 328)**

Certificazioni - Certificates - Prüfzeichen **CE**

Normative - Norms - Normen **EN 60-598-1 (CEI 34-21)**

Lampadina - Light sources - Leuchtmittel **MAX 60W I - 75W HAL - 15W FL EL - E27/E26 (not included)**

Versioni - Available - Versionen **230V (Europe) - 120V (USA - Japan) - 240V (England)**  
*(fittings come with appropriate plug)*

Classe di isolamento - Insulation Class - Isolierungsklasse **II**

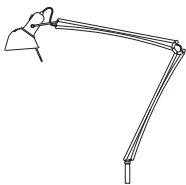
Classe di protezione - Protection Class - Protektionsgrad **IP20**

Imballo - Packaging - Verpackung **0,001m<sup>3</sup> - 0,7Kg**



**Col. 08**

Alluminio anodizzato  
Anodised aluminium  
Eloxiertes Aluminium



**Cod. 300**  
Naomi 2 body



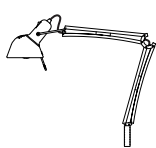
**Cod. 305**  
Naomi Terra body



**Cod. 310**  
Naomi 1



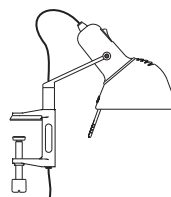
**Cod. 315**  
Naomi Baby



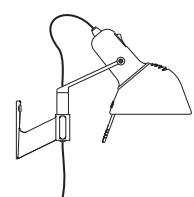
**Cod. 316**  
Naomi Baby body



**Cod. 325**  
Naomi 1 body



**Cod. 329**  
Naomi Morsetto



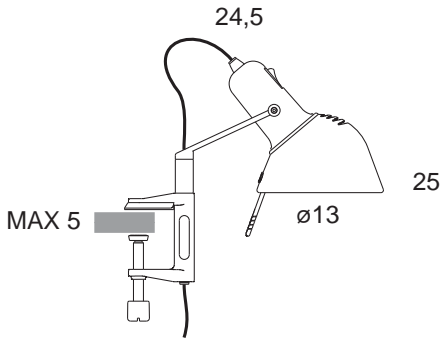
**Cod. 330**  
Naomi Parete

# Naomi Morsetto

**Designer**

Yaacov Kaufman - 2001

Adjustable lamp in aluminium on a clamp-base with 3m long feeding cable. The clamp is suitable for surfaces up to 52mm thickness.



Denominazione - Name - Name **Naomi Morsetto (cod. 329)**

Certificazioni - Certificates - Prüfzeichen **CE**

Normative - Norms - Normen **EN 60-598-1 (CEI 34-21)**

Lampadina - Light sources - Leuchtmittel **MAX 60W I - 75W HAL - 15W FL EL - E27/E26 (not included)**

Versioni - Available - Versionen **230V (Europe) - 120V (USA - Japan) - 240V (England)  
(fittings come with appropriate plug)**

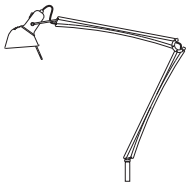
Classe di isolamento - Insulation Class - Isolierungsklasse **II**

Classe di protezione - Protection Class - Protektionsgrad **IP20**

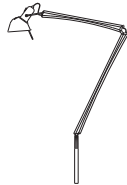
Imballo - Packaging - Verpackung **0,001m<sup>3</sup> - 0,7Kg**

## Col. 08

Alluminio anodizzato  
Anodised aluminium  
Eloxiertes Aluminium



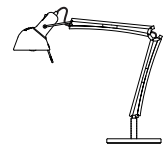
**Cod. 300**  
Naomi 2 body



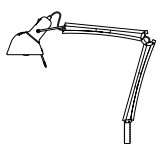
**Cod. 305**  
Naomi Terra body



**Cod. 310**  
Naomi 1



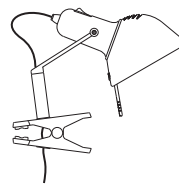
**Cod. 315**  
Naomi Baby



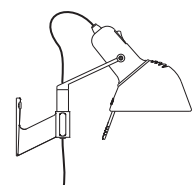
**Cod. 316**  
Naomi Baby body



**Cod. 325**  
Naomi 1 body



**Cod. 328**  
Naomi Pinza



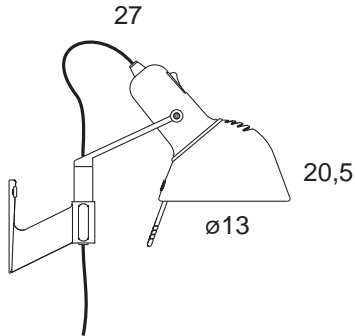
**Cod. 330**  
Naomi Parete

# Naomi Parete

**Designer**

Yaacov Kaufman - 2001

Adjustable wall lamp in aluminium with 3m long feeding cable.



Denominazione - Name - Name **Naomi Parete (cod. 330)**

Certificazioni - Certificates - Prüfzeichen **CE**

Normative - Norms - Normen **EN 60-598-1 (CEI 34-21)**

Lampadina - Light sources - Leuchtmittel **MAX 60W I - 75W HAL - 15W FL EL - E27/E26 (not included)**

Versioni - Available - Versionen **230V (Europe) - 120V (USA - Japan) - 240V (England) (fittings come with appropriate plug)**

Classe di isolamento - Insulation Class - Isolierungsklasse **II**

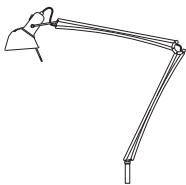
Classe di protezione - Protection Class - Protektionsgrad **IP20**

Imballo - Packaging - Verpackung **0,001m<sup>3</sup> - 0,7Kg**

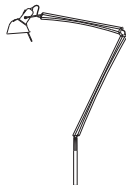


**Col. 08**

Alluminio anodizzato  
Anodised aluminium  
Eloxiertes Aluminium



**Cod. 300**  
Naomi 2 body



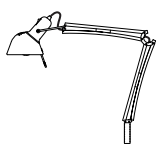
**Cod. 305**  
Naomi Terra body



**Cod. 310**  
Naomi 1



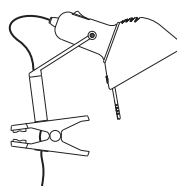
**Cod. 315**  
Naomi Baby



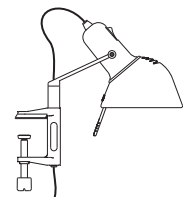
**Cod. 316**  
Naomi Baby body



**Cod. 325**  
Naomi 1 body



**Cod. 328**  
Naomi Pinza



**Cod. 329**  
Naomi Morsetto