

COMPENDIUM

design Daniel Rybakken, 2014

**LUCE
PLAN**

Type: Floor


Lamps: LED 43W⁽¹⁾ EEL: A
2700 or 3000K
Foot dimmer

Product use: Indoor

Materials: Profile in extruded aluminum anodized in various colors.
Base in die-cast zinc-alloy, dimmer mounted on the power cord

Colors: Black, brass, aluminium

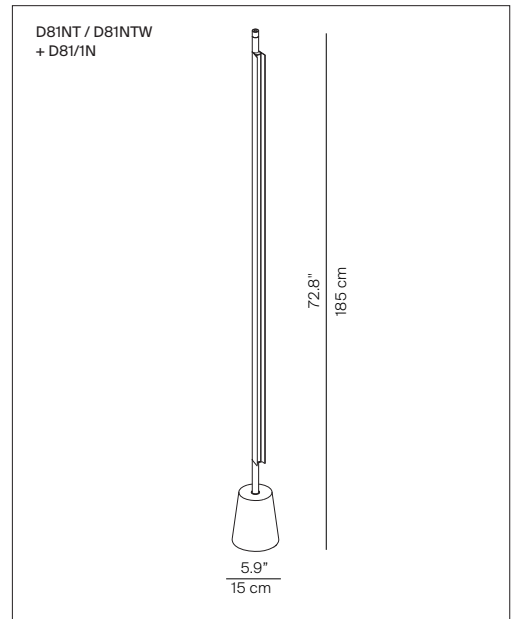
Description: Compendium stands out for the evocative graphic-sculptural impact of its slim silhouette.

Rating:   220-240 V ~ 50/60 Hz
IP20

Marking: 

Reference code : Structure

D81NT	1D81NT000030	brass
3000K	1D81NT000020	alu
	1D81NT000001	black
D81NTW	1D81NTW00030	brass
2700K	1D81NTW00020	alu
	1D81NTW00001	black
Base		
D81/1N	1D81N/100001	black



⁽¹⁾ The LED lamps cannot be changed in the luminaire.
Power consumption by device

