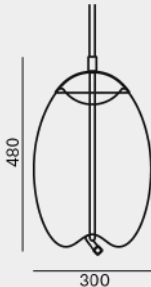


PRODUCT LIST

IDENTIFICATION

	PC PC1018
	NAME KNOT UOVO D300 H480
	TYPE PENDENT LAMP
	COLLECTION KNOT
	LINE EXCLUSIVE LINE
	DESIGNED BY CHIARAMONTE MARIN



DIMENSIONS (MM)
300 x 480 x - x -

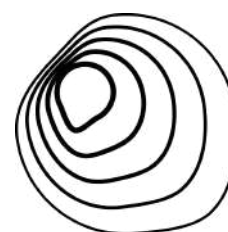
CHARACTERISTIC

FEATURES

KNOT IS A COLLECTION OF STATELY PENDENT LIGHTS THAT APPOSE TWO DRAMATICALLY DISSIMILAR MATERIALS. THE DESIGN COMBINES COARSE NATURAL FIBRE WITH SMOOTH, TRANSPARENT BLOWN GLASS TO AROUSE A CONTRAST AS STRIKING AS IT IS DIGNIFIED. FULL-BODIED GLOBES OF VARYING SHAPES AND SIZES ARE PENETRATED BY ROBUST CORDS THAT SEEMINGLY PULL THE BOTTOM OF THE GLASS INWARD FOR A BEMUSING PLASTIC EFFECT. THE LED LIGHT SOURCE IS HOUSED IN A HANDSOME TOP HOOD, WHICH, LIKE THE CORD END CAP, IS FASHIONED IN REFINED METAL. KNOTS ARE WELL-SUITED TO BOTH PRIVATE AND PUBLIC INTERIOR SPACES AND MAKE A PARTICULARLY IMPRESSIVE STATEMENT ABOVE DINING TABLES. THE COLLECTION CURRENTLY COMPRISES FOUR PENDENT LIGHTS AND SEVERAL COLOUR OPTIONS.

TECHNOLOGY

THE CRAFTSMANSHIP APPLIED IN PRODUCTION FOLLOWS IN THE CENTURIES-OLD TRADITION AND EXPERIENCE OF MASTER GLASSMAKERS. THE PRECISION CRAFTING OF HAND-BLOWN GLASS INSTILLS DISTINCTIVE, ENDURING CHARACTER AND OUTSTANDING QUALITY IN ALL BROKIS PRODUCTS. THE GLASS SHADES ARE FORMED FROM MULTIPLE LAYERS OF MOLTEN GLASS, EACH OF WHICH IS SCRUTINIZED BY THE MASTER GLASSMAKER PRIOR TO BEING BLOWN INTO THE MOLD. UP TO 70% OF THE RESULTING QUALITY IS ACHIEVED IN THIS STAGE OF PRODUCTION. THE METAL REFLECTOR IS MANUFACTURED THROUGH A UNIQUE METAL STAMPING TECHNIQUE THAT HAS BEEN PROVEN OVER THE COURSE OF MILLENNIA AND INVOLVES SPINNING COLD SHEET METAL ON A ROTATING FORM. THE HISTORY OF THIS TECHNOLOGY GOES BACK TO CELTIC TIMES. AS WITH THE GLASSMAKERS, THE MASTER METALWORKERS DRAW UPON THE TRADITION AND EXPERIENCE THAT HAVE BEEN CAREFULLY PASSED DOWN THROUGH THE AGES AND GIVE THE FINAL PRODUCT EXCEPTIONAL ADDED VALUE.



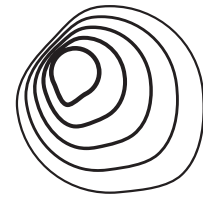
PRODUCT LIST

PRODUCT CLASSIFICATION

KNOT	UOVO		PC1018
GLASS COLOUR	BAS	SMOKE BROWN - TRANSPARENT GLASS	CGC538 •
GLASS COLOUR	BAS	OPALINE - TRANSPARENT GLASS	CGC38 •
GLASS COLOUR	BAS	SMOKE GREY - TRANSPARENT GLASS	CGC516 •
GLASS COLOUR	BAS	TRANSPARENT GLASS	CGC23 •
GLASS SURFACE	ALL	GLOSSY SURFACE	CGSU66
SURFACE FINISH	BAS	CHROME BLACK	CCS959 •
SURFACE FINISH	BAS	COPPER	CCS584 •
SURFACE FINISH	BAS	BRASS	CCS69 •
SURFACE FINISH	BAS	BRUSHED STAINLESS STEEL	CCS68 •
CANOPY SURFACE FINISH	BAS	CHROME BLACK	CCSC975
CANOPY SURFACE FINISH	BAS	COPPER	CCSC896
CANOPY SURFACE FINISH	BAS	BRASS	CCSC897
CANOPY SURFACE FINISH	BAS	BRUSHED STAINLESS STEEL	CCSC974
ROPE	BAS	ROPE - NATURAL	CRP970 •
LENGTH OF ROPE	BAS	IT MUST BE PROVIDED BY THE CLIENT, FROM THE CEILING TO THE BOTTOM OF THE LIGHT	CLR1939
BULBS	BAS	24V, LED, 14W, 2700K, 1660LM, RA90, DIM	CEB981
DIMMABLE VERSION	BAS	1-10V	CEDV1460
DIMMABLE VERSION	BAS	AC PHASE-CUT	CEDV1730
DIMMABLE VERSION	BAS	DALI VERSION	CEDV1458
DIMMABLE VERSION	BAS	PWM SIGNAL	CEDV1459
DIMMABLE VERSION	BAS	RF SYSTEM - STANDARD DIMMABLE VERSION	CEDV1461
SCREW CAP	ALL	NON-USER REPLACEABLE LIGHT SOURCE	CESC2488
POWER VOLTAGE (VAC)	ALL	90-305VAC	PV2528
STANDARTS	ALL	CE	CEC160
STANDARTS	ALL	EN 60598-1 ED.6:2015	CEC569
STANDARTS	ALL	EN 60598-2-1:1997	CEC568
STANDARTS	ALL	IEC 60598-1:2014	CEC2471
STANDARTS	ALL	IEC 60598-2-1:1979+ A1:1987	CEC2472



DATASHEET



BROKIS

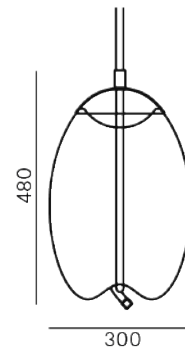
Name	Suspension light
Type	Knot
ID	PC1018
Description	KNOT is a collection of stately pendent lights that appose two dramatically dissimilar materials. The design combines coarse natural fibre with smooth, transparent handblown glass to arouse a contrast as striking as it is dignified.
Tech. description	The light comprises a glass shade, glass diffuser, metal component with LED module, and linen rope and is suspended from the ceiling canopy with a special bracket. The bottom section of the light is engineered as SELV.



CONSTRUCTION SPECIFICATION

Weight [kg]	7 kg
Construction material	glass, metal, linen rope
Cord length [mm]	Individual, max. 5,000 mm
Mounting	Ceiling
Environment	Indoor

Dimensions [mm]



ELECTRICAL SPECIFICATION

Input voltage [V]	100–240 VDC
Frekvency [Hz]	50–60 Hz
Max. power [W]	16 W
Coverage IP	20
Socket	–
Light source	LED modul
Energy class	A+

Certifications



DATASHEET

LIGHT SOURCE



LED D200

Type	LED modul
Lamp wattage [W]	14 W
Input voltage [V]	24VDC
Energy class	A+
Flux[lm]	> 1,816 lm
Light Colour [K]	2,700/4,000/5,000 K
CRI	80+
Lifespan [h]	20,000
Dimmable	yes (PWM)

Accessories

Name

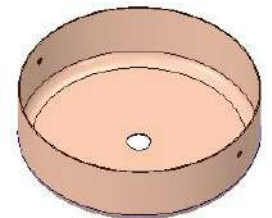
RF receiver + RF transmitter Lampia
Power supply Mean Well LPF-16D-24
Power supply Mean Well LPF-16D-24 + DAP-04

function

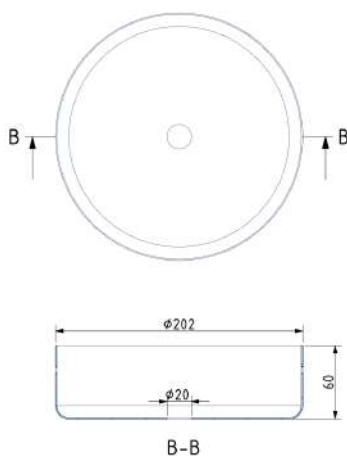
RF dimming
1-10V/PWM/potentiometer
DALI

Ceiling Canopy

Dimensions \varnothing x w [mm] 202 x 60 mm
Weight [kg] 1.15 kg
Material metal



Drawing



Canopy bracket

